



M&M Manufacturing Company

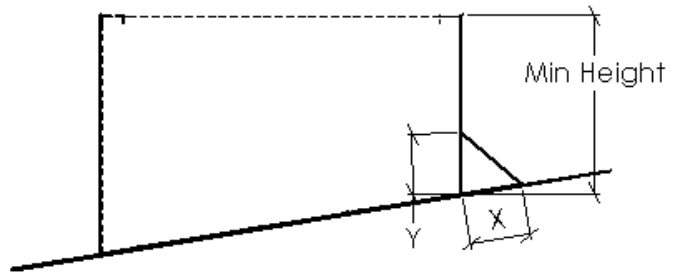
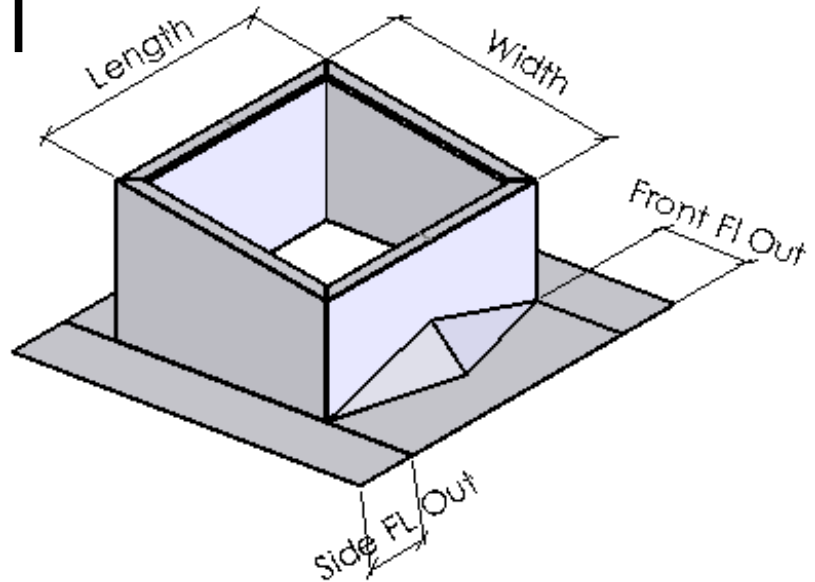
C-1400-001

Specifications:

- Galvanized Steel
- Wood Nailer
- Cricket
- Sloped

Options:

- A. Insulation
- B. No Nailer
- C. Aluminum
- D. Damper Tray
- E. Burglar Bars
- F. Flange Width
- G. No Cricket
- H. Metal Liner



Customer: _____

Project: _____

Our Job#: _____

P.O. #: _____

Ship Date: _____

C-1400-001 Fan Curb:
Sloped with Cricket

Qty	*Gauge	Length	Width	Min. Height	Slope	Options

*18 gauge standard unless otherwise noted