



M&M Manufacturing Company

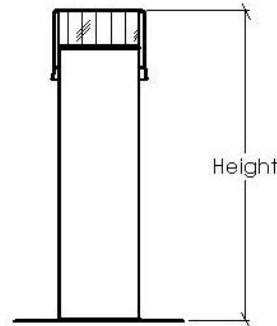
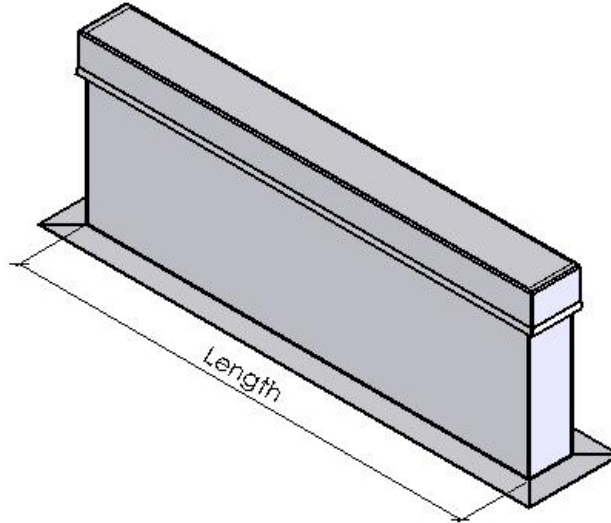
C-2100

Specifications:

- Galvanized Steel
- Wood Nailer
- Welded Bulkheads at approximately 24" Centers.
- Cap oversized for Roofing

Options:

- A. Nailer Width
- B. Pressure Treated Nailer
- C. Double Nailer
- D. Sloped to Match Roof
- E. Aluminum
- F. No Wooden Nailer



Customer: _____

Project: _____

Our Job#: _____

P.O. #: _____

Ship Date: _____

C-2100 Equipment Stand
with Straight sides

Qty	Ga	Length	Nailer Width					Height	Slope	Description
			4"	6"	8"	PT	DN			

PT= Pressure Treated • DN=Double Nailer

360 S. Shiloh Road, Garland, TX 75042 <> (972) 485-1504 or Fax (972) 485-1314

www.mmmfg.com<> email: curbs@mmmfg.com