



M&M Manufacturing Company

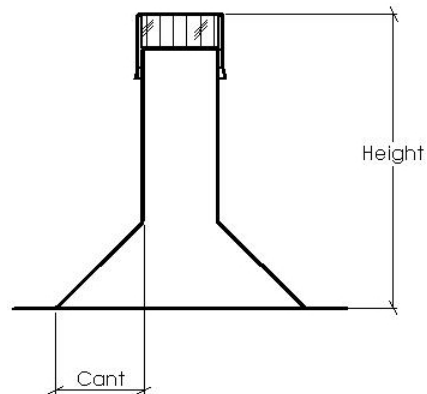
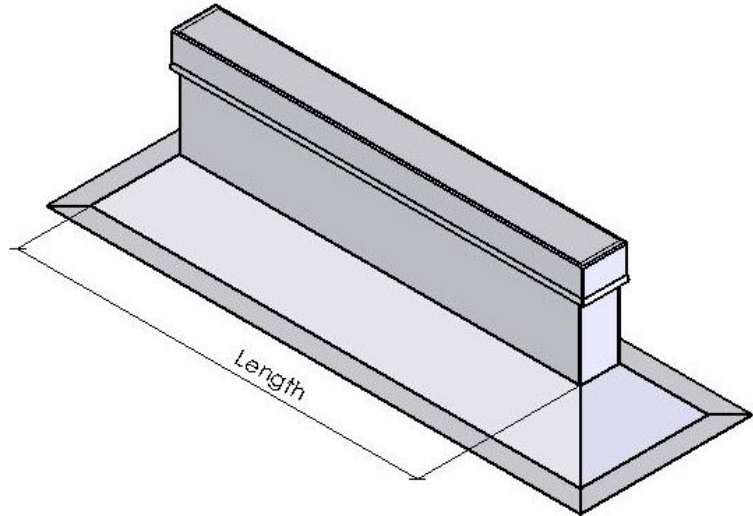
C-2200

Specifications:

- Galvanized Steel
- Wood Nailer
- Welded Bulkheads at approximately 24" Centers.
- Cap oversized for Roofing
- Canted for Roofing

Options:

- A. Nailer Width
- B. Pressure Treated Nailer
- C. Double Nailer
- D. Sloped to Match Roof
- E. Aluminum



Customer: _____

Project: _____

Our Job#: _____

P.O. #: _____

Ship Date: _____

C-2200 Equipment Stand with Canted Sides

Qty	Ga	Length	Nailer Width					Height	Step	Slope	Cant	Description
			4"	6"	8"	PT	DN					

PT= Pressure Treated • DN=Double Nailer