



M&M Manufacturing Company

CA-0000-904

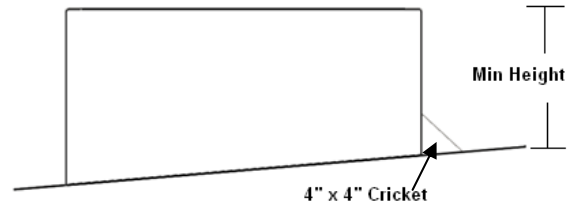
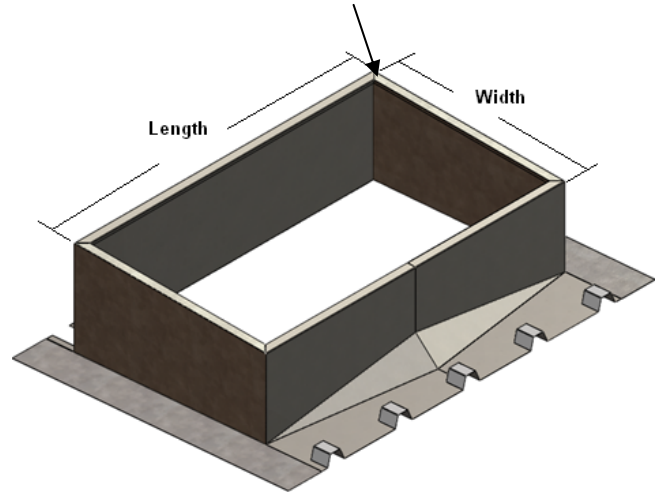
Specifications:

- Galvanized Steel
- Insulation

Options:

- A. No Insulation
- B. Aluminium
- C. Burglar Bars
- D. Metal Liner

1.5" Flange Out, .5" Flange in TYP



Customer: _____

Project: _____

Our Job#: _____

P.O. #: _____

Ship Date: _____

CA-0000-904
Sloped Roof curb with
R-Panel for Metal Roof

Qty	*Gauge	Min Ht	Pitch (ex: 1"/12)	Ribs On-Center	Width	Length	Options

*18 gauge standard unless otherwise noted