

| | NAME | DATE |
|-----------|------|---------|
| DRAWN | XS | 8/26/08 |
| CHECKED | | |
| ENG APPR. | | |
| MFG APPR. | | |
| Q.A. | | |
| COMMENTS: | | |

M&M Manufacturing

TITLE:
**48 x 96 Platform
Acoustic Isolater**

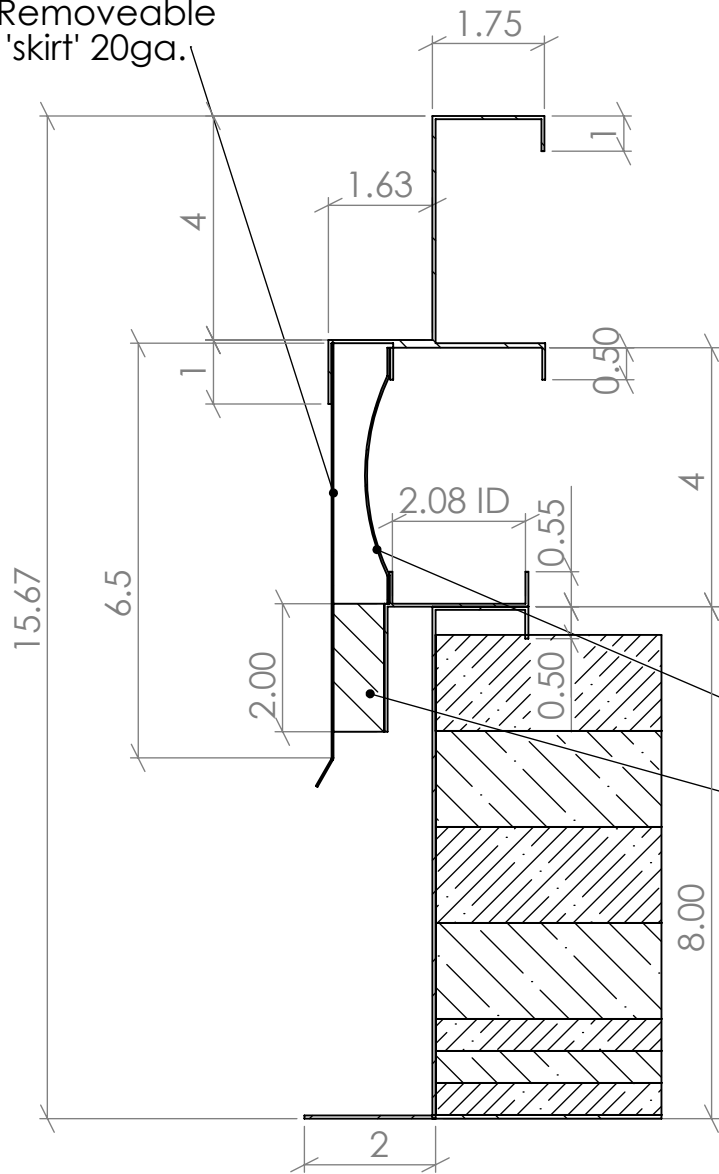
MATERIAL
Galvanized

LINER
N/A

SIZE DWG. NO. REV
A 082608A

FILE NAME: Isolator Rail assy48 x 96 SCALE: 1:15 SHEET 1 OF 2

Removeable
'skirt' 20ga.



Gasket Seal

0.75" Neoprene Gasket

SECTION A-A
SCALE 1 : 3

UNLESS OTHERWISE SPECIFIED:

DIMENSIONS ARE IN INCHES
TOLERANCES:
FRACTIONAL ±
ANGULAR: MACH ± BEND ±
TWO PLACE DECIMAL ±
THREE PLACE DECIMAL ±

INTERPRET GEOMETRIC
TOLERANCING PER:

MATERIAL
Galvanized

FINISH

DO NOT SCALE DRAWING

NAME

DATE

DRAWN

XS

8/26/08

CHECKED

ENG APPR.

MFG APPR.

Q.A.

COMMENTS:



M&M Manufacturing

TITLE:

**48 x 96 Platform
Acoustic Isolater**

SIZE

DWG. NO.

REV

A

082608A

SCALE: 1:12

WEIGHT:

SHEET 2 OF 2