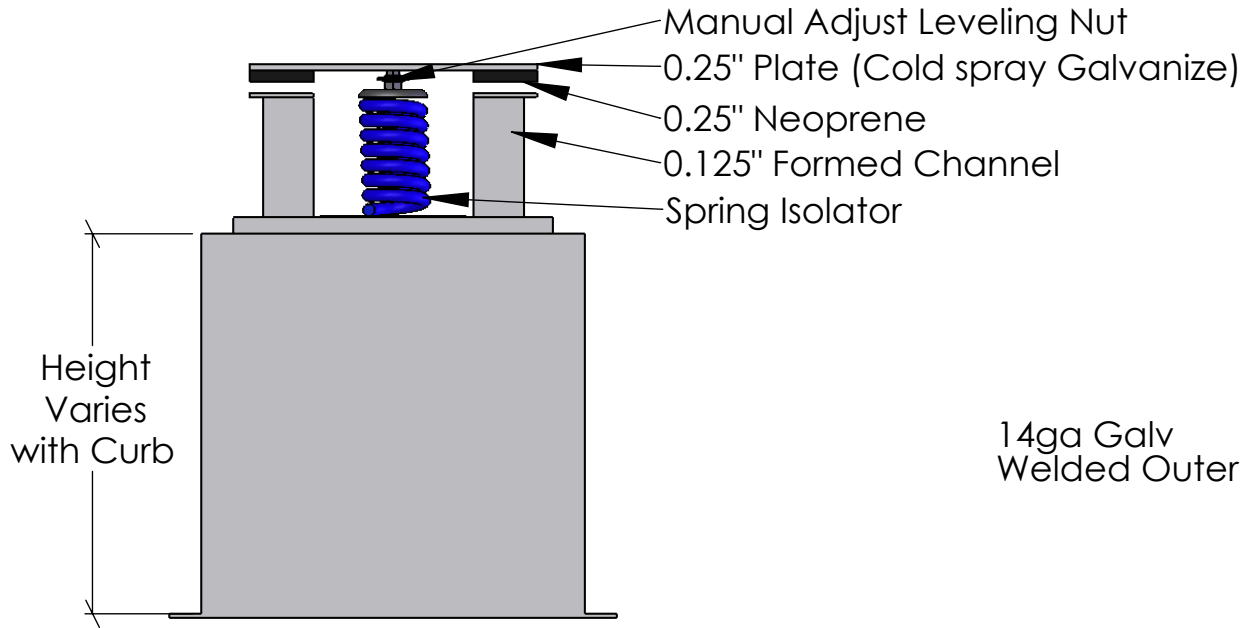
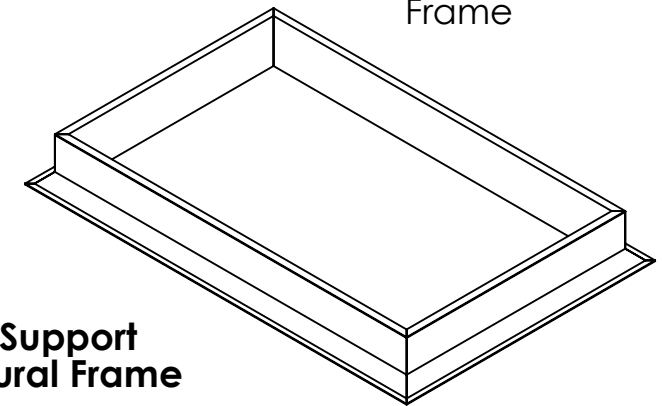
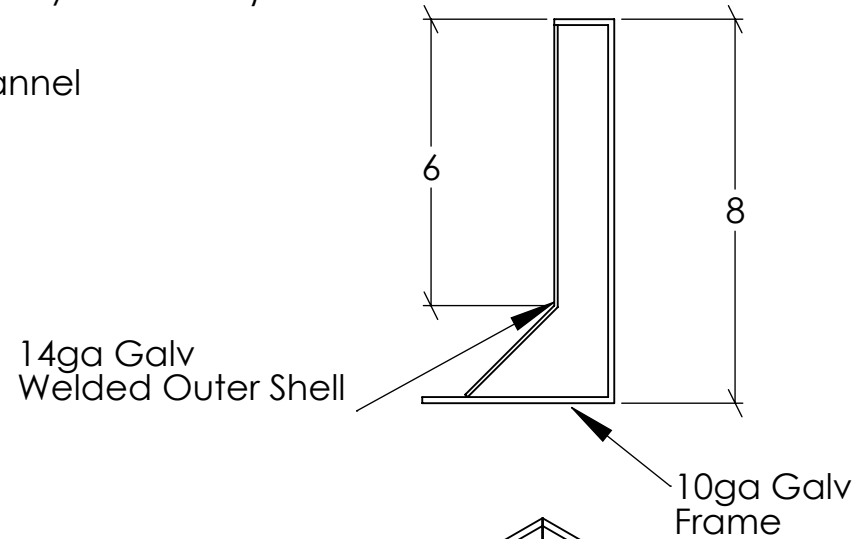


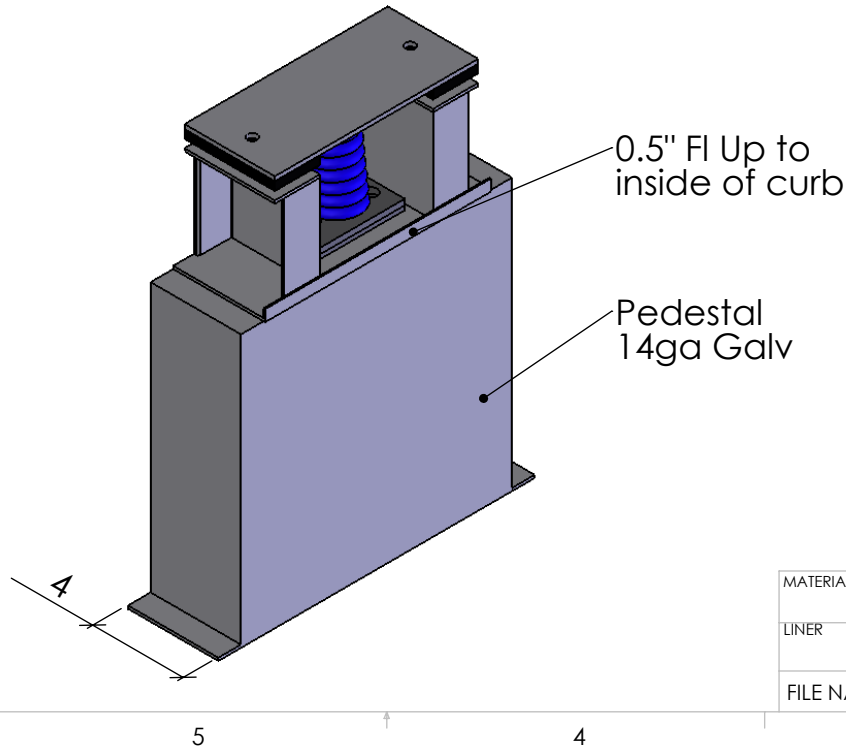
Isolator Housing Assy




Frame Cross Section



Unit Support Structural Frame



NAME	DATE	 M&M Manufacturing	
DRAWN	XS		1/08/08
CHECKED			
ENG APPR.			
MFG APPR.			
Q.A.			
COMMENTS:			TITLE: Isolator Housing and Unit Frame Detail
MATERIAL	Various		SIZE A DWG. NO. 010808B
LINER			REV
FILE NAME:	frame and pedestal detail		SCALE: 1:6 SHEET 1 OF 1

5

4

3

2

1